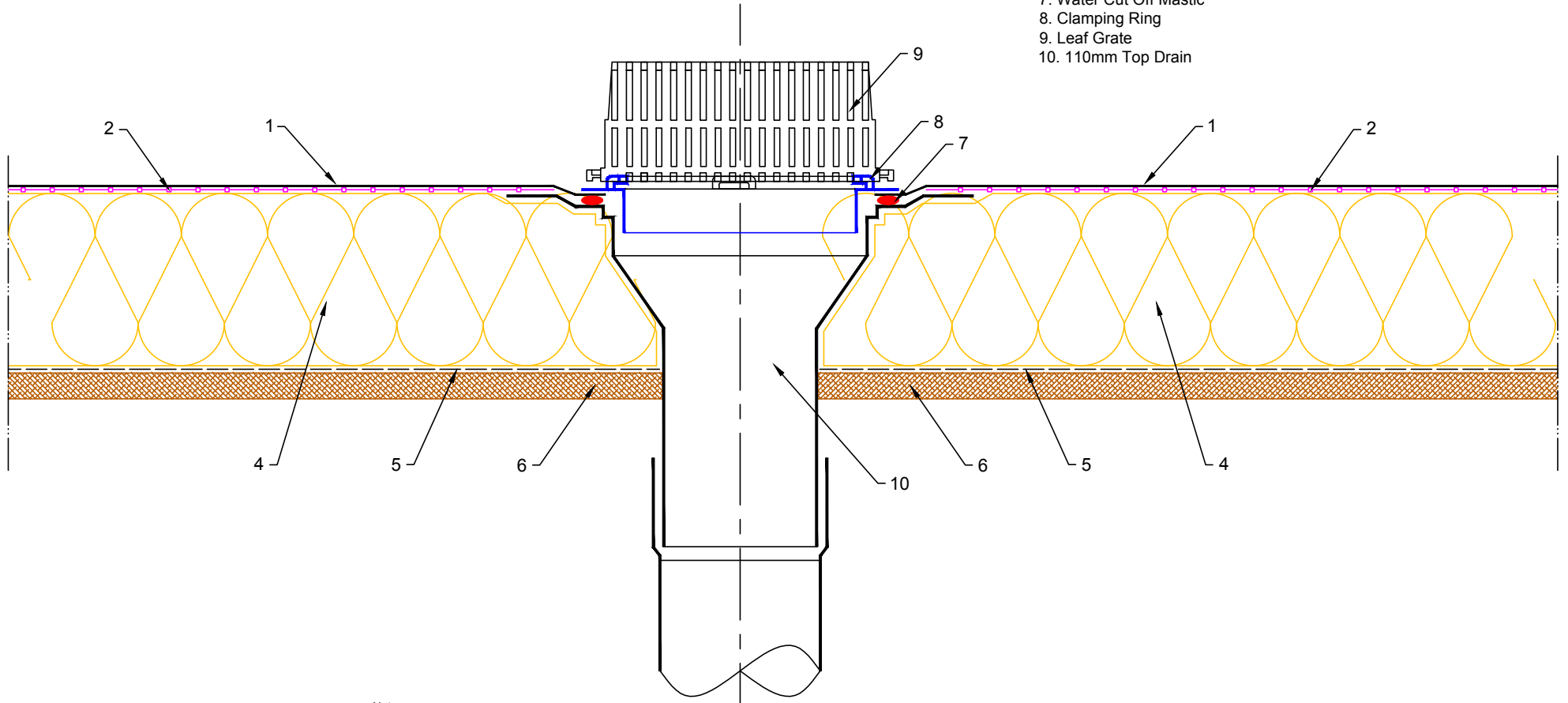


1. Fix-R EPDM Membrane
2. Fix-R EPDM Decking Adhesive (See Notes)
3. Fix-R EPDM Bonding Adhesive
4. Suitable thermal insulation, thickness determined by U-value
5. Vapour Control Layer (VCL)
6. Structural decking
7. Water Cut Off Mastic
8. Clamping Ring
9. Leaf Grate
10. 110mm Top Drain



- Notes:
1. This detail was prepared to serve as a guideline representing typical detailing conditions and illustrate the correct application of Fix-R EPDM products only. It may be necessary to modify this detail in whole or part in accordance with specific project conditions, design or requirements.
 2. Acrylic Decking Adhesive is for timber substrates only, all other surfaces use Fix-R EPDM Bonding Adhesive.
 3. Install a continuous bead of water cut off mastic around drain



Title	
110mm TOP DRAIN	
Product	
CB-D-2	

A	03.02.14	PRODUCTION Issue
Rev	Date	Comments

Drawn	Checked	Approved	Scale	Date
MFO	DW	DW	1: 4@A4	03.02.14
Status		PRODUCTION		
Drawing No:				Rev:
CB/D/2				A