

FIX-R

FLAT ROOFING



FIX-R LIQUID ROOFING FABRIC DETAILING

INSTALLATION GUIDE

FIX-R LIQUID ROOFING FABRIC DETAILING INSTALLATION GUIDE

Internal Rainwater Outlets

With existing internal rainwater outlets, remove outlet covers and set aside.

Clear all debris/blockages. Damaged areas should be reinstated as necessary. Apply the FIX-R Liquid Roofing System into the outlet, ensuring drainage will not be inhibited.

Method of application

Cut several suitable strips of FIX-R Liquid Roofing Reinforcing Fabric to cover the outlet in overlapping sections.

Pre-cut a square cover section of FIX-R Liquid Roofing Reinforcing Fabric (as illustrated) with the appropriate circular section cut out from the centre of the square.

Completely saturate each individual strip section with FIX-R Liquid Roofing Coating.

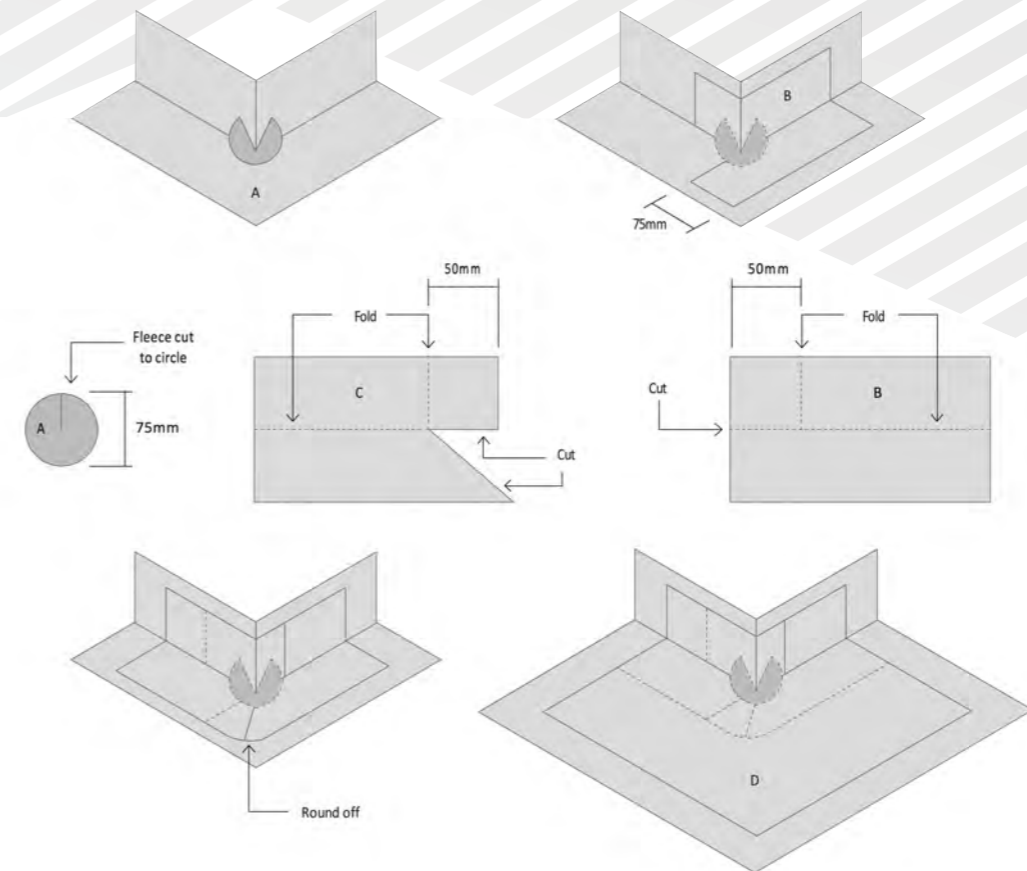
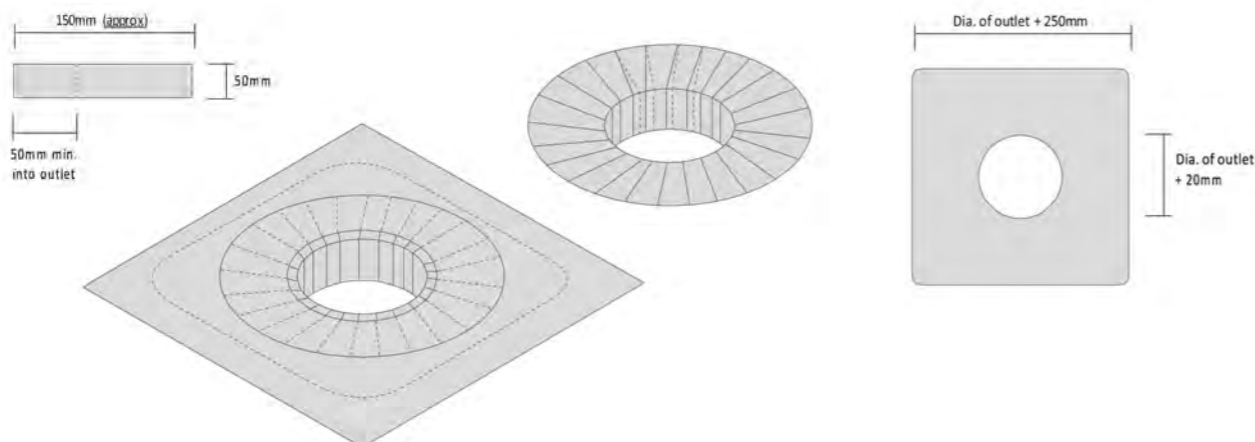
Apply FIX-R Liquid Roofing Coating to the top and inside of the rainwater outlet and begin to apply the sections of reinforcement until the entire circumference is covered.

Brush or roll out any pockets of air and apply extra coating to the reinforcement as necessary.

Wet the prepared square cover section of reinforcing fabric and position above the outlet. Roll or brush to remove air pockets and encourage saturation.

Complete the detail with the application of FIX-R Liquid Roofing Coating to the surface of the reinforcement. Ensure the overlap areas (above and below the overlapping fabric) are fully saturated to maintain continuity of the waterproofing system.

Install or reinstate any leaf grates once the waterproofing system is completely cured.



Internal and External Corners

External Corners - Method of application

Cut sections of circular reinforcement (A) from reinforcing fabric and position in place using a suitable amount of FIX-R Liquid Roofing Coating.

Cut and fold the first strip of reinforcement (B) and position in FIX-R Liquid Roofing Coating, applied to the upstand and horizontal deck. Ensure a minimum 75mm overlap onto the horizontal is achieved. Brush or roller the reinforcing fabric to remove pockets of air and to encourage full embedment.

Cut and fold a second strip of reinforcement (C), opposite to the previous section. Apply FIX-R Liquid Roofing to the other side of the detail and position the reinforcement, as illustrated, into the corner. Again, brush or roller the reinforcement until it is completely saturated and any trapped air is removed.

Apply further coating to the deck prior to positioning the main field area reinforcement (D), which is brushed or rolled as previous.

Apply the final coating to all areas to ensure the minimum specified thickness / coverage rates are achieved.

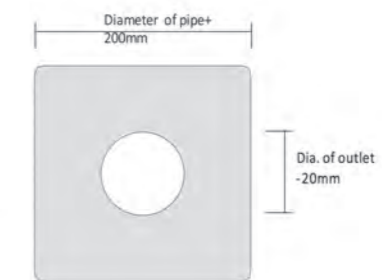
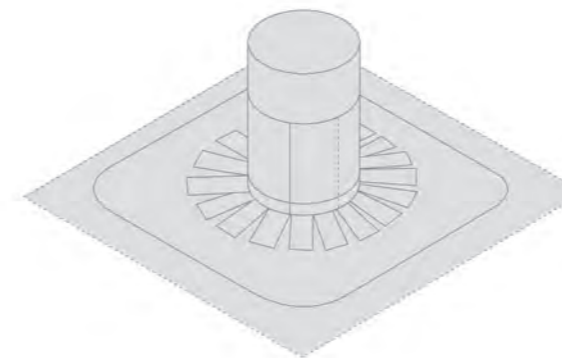
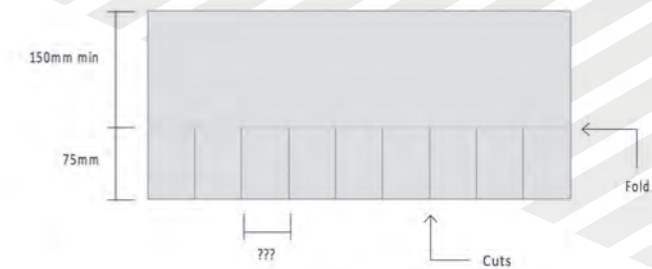
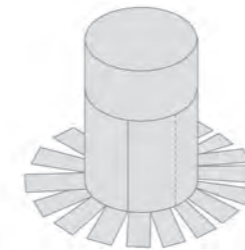
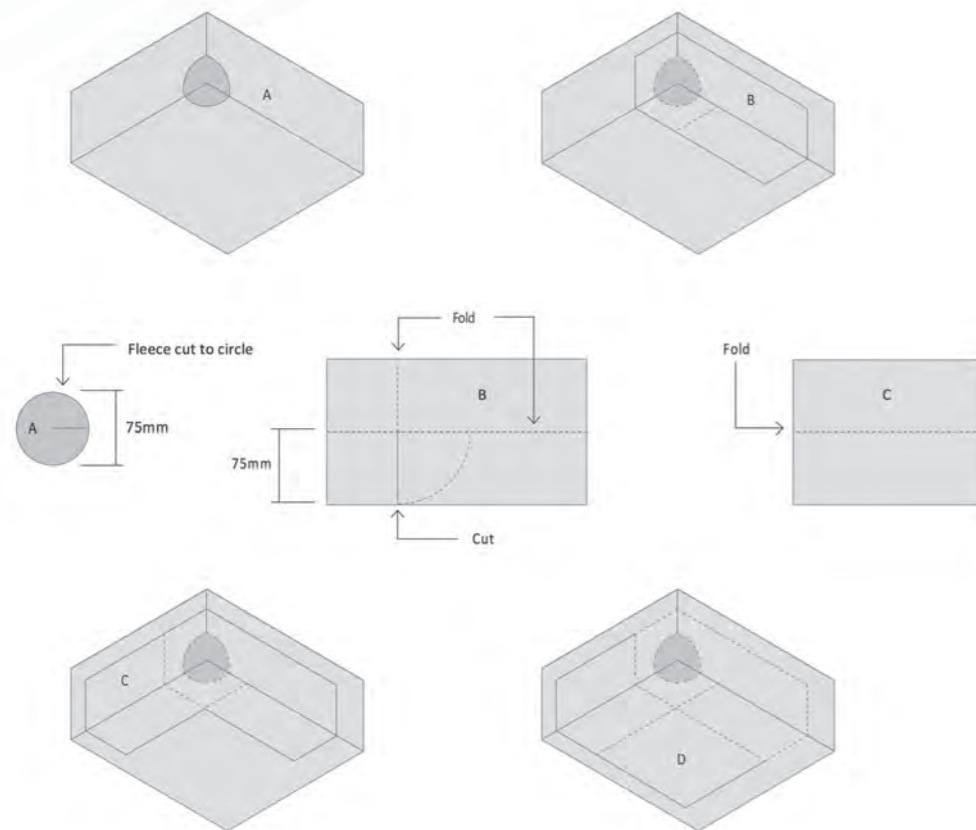
Internal Corners - Method of Application

Cut sections of circular reinforcement (A) from reinforcing fabric and position in place using a suitable amount of FIX-R Liquid Roofing.

Cut and fold the first strip of reinforcement (B) and position, in FIX-R Liquid Roofing, applied to the upstand and horizontal deck. Ensure a minimum 75mm overlap onto the horizontal is achieved. Brush or roller the reinforcing fabric to remove pockets of air and to encourage full embedment.

Cut and fold a second strip of reinforcement (C), opposite to the previous section. Apply FIX-R Liquid Roofing to the other side of the detail and position the reinforcement, as illustrated, into the corner. Again, brush or roller the reinforcement until it is completely saturated and any trapped air is removed.

Apply further coating to the deck prior to positioning the main field area reinforcement (D), which is brushed or rolled as previous. Apply the final coating to all areas to ensure the minimum specified thickness / coverage rates are achieved.



Pipe Penetrations

Method of application

Cut a first piece of reinforcing fabric to size, ensuring a minimum 150mm upstand height and minimum 75 mm overlap to the circumference of the pipe is achieved.

Apply masking tape to the pipe circumference 5mm above the leading edge of the reinforcement to ensure a neat finish is achieved.

Apply adequate FIX-R Liquid Roofing to the pipe penetration and install the prepared reinforcing fabric with each cut section bent at right angles onto the horizontal surface.

Brush or roll to ensure complete saturation is achieved. Ensure adequate coating is applied into the overlap area.

Once complete, apply FIX-R Liquid Roofing to the horizontal area surrounding the pipe penetration, and apply the second section of prepared reinforcing fabric over (or around) the pipe. Where sliding down onto the pipe, stretch inner circumference of the reinforcement to create a small upstand.

Finally, apply further FIX-R Liquid Roofing (top layer) to all areas ensuring minimum coating thickness is achieved.

Rooflights

Method of Application

Cut circular sections of reinforcement (A) for the corners and position using FIX-R Liquid Roofing. Repeat the process for all corners.

Cut and fold a strip of reinforcement (B). Coat the roof light curb and the adjacent roof area with FIX-R Liquid Roofing and position the reinforcement (B).

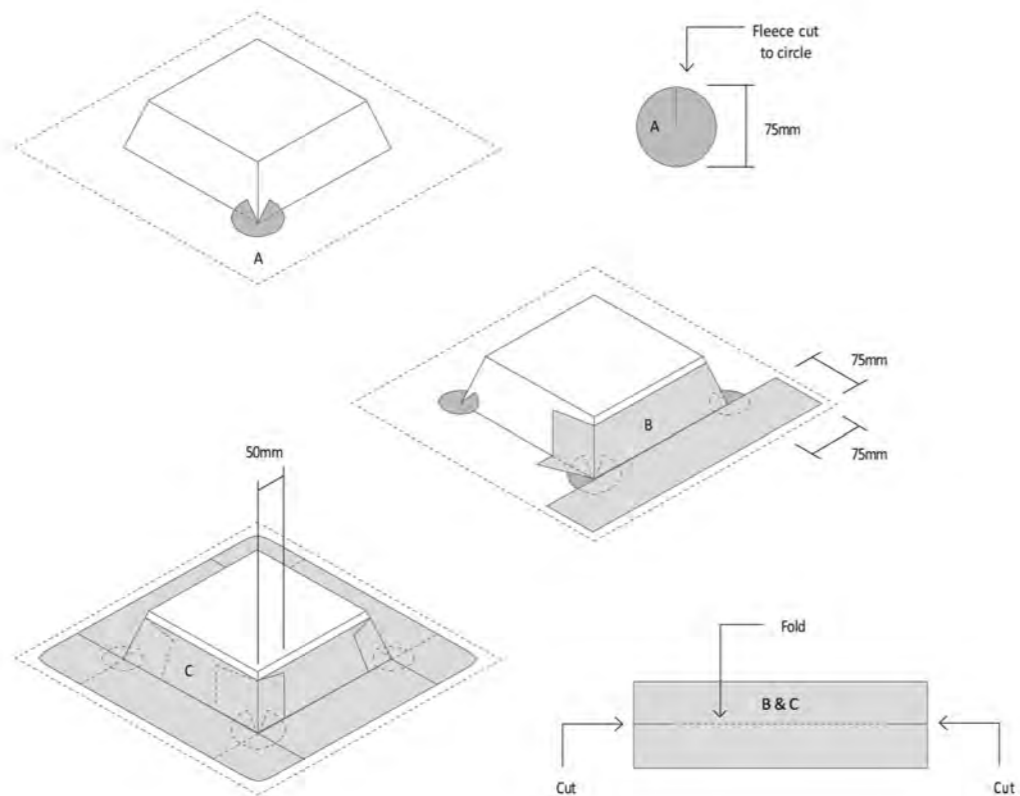
Brush or roll the reinforcement to remove pockets of air and to encourage saturation. Fold back the upper edge of the reinforcement and re-apply more coating to ensure this critical area is adequately coated.

Repeat the detail on the opposite side of the roof light.

Cut and fold a strip of reinforcement (C). Coat the roof light curb and the adjacent roof area with FIX-R Liquid Roofing and position the reinforcement (B).

Brush or roll the reinforcement to remove pockets of air and to encourage saturation. Fold back the upper edge of the reinforcement and re-apply more coating to ensure this critical area is adequately coated.

Finally apply the top layer of FIX-R Liquid Roofing to complete the detail.



FIX-R

FLAT ROOFING

FIX-R LIQUID ROOFING FABRIC DETAILING



All the information in this product sheet is based on practical experience and is published in good faith. However, because we have no control over the manner or conditions in which our products are used, or over work undertaken or end product manufactured by the purchaser, we cannot accept liability for results. Responsibility for ascertaining the suitability of products for their purposes rests with the purchaser. All conditions, representations, statements, warranties or guarantees whatsoever, whether express, implied or statutory, in respect of any goods manufactured, sold or supplied by us are hereby expressly excluded and we accept no liability in respect of any claim for damage or consequential loss caused to any property arising directly or indirectly out of the use of our products or goods. FIX-R reserves the right to change product specifications without notice. VERS 1. 07/2020